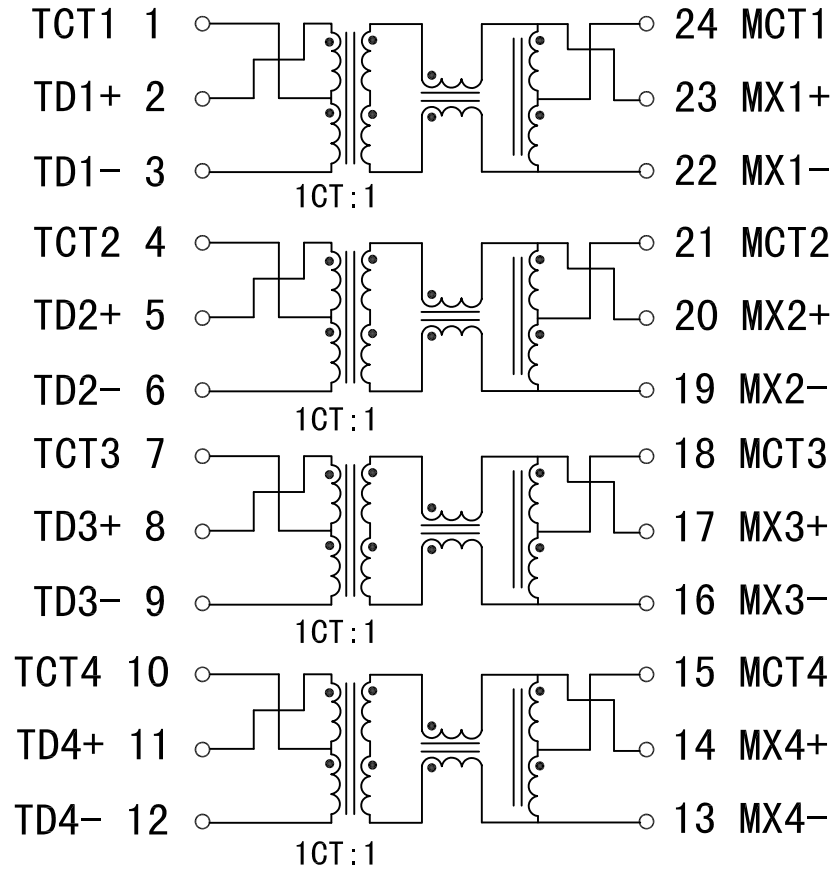


Schematic:

REV.	ECN NO.	DESCRIPTION	DATE	APPD
A	REL		24/09/2009	



Electrical Specifications @25°C

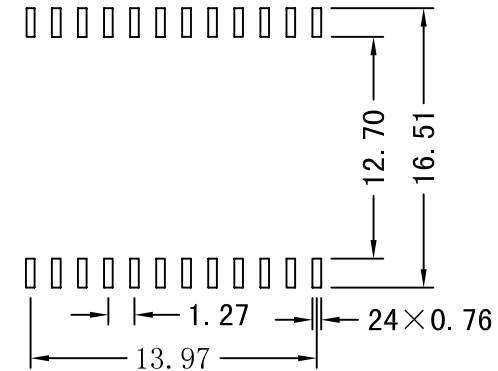
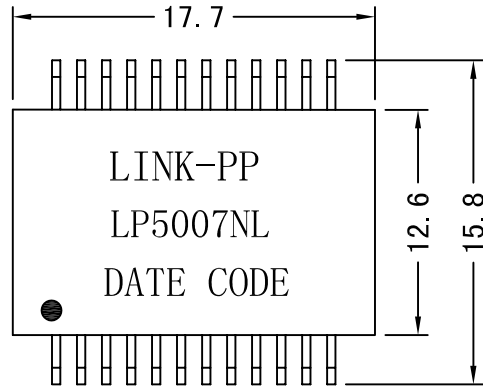
- Insertion Loss (dB max):
 - 1-65MHz: -1.0 65-100MHz: -1.1
 - 100-125MHz: -1.5
- Return Loss (dB min):
 - 1-30MHz: -18 40MHz: -18
 - 50MHz: -16 60-80MHz: -12
 - 100MHz: -10
- Crosstalk (dB min):
 - 30MHz: -45 60MHz: -40
 - 100MHz: -35
- DCMR: (dB min):
 - 30MHz: -43 60MHz: -37
 - 100MHz: -33
- Isolation Voltage: 1500Vrms min
- Operating Temperature: -40°C ~ +85°C.



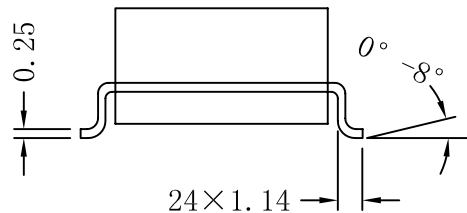
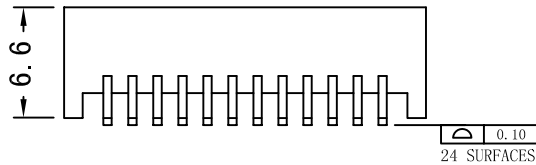
X:X	±0.20	APPD:	LINK-PP INT'L TECHNOLOGY CO., LIMITED	
X:XX	±0.10	CHKD:	Title: 1000Base-T Magnetic Modules	
X:XXX	±0.05	DR: TOM		
ANGLES	±1°	UNIT: mm	PART NO.:	LP5007NL
	SCALE: 2/1	SHEET: 1/2	REV: A	DWG NO.: LP09092405

Mechanical:

REV.	ECN NO.	DESCRIPTION	DATE	APPD
A	REL		24/09/2009	



SUGGESTED PAD LAYOUT



NOTES:

1. Designed to support application, such as SOHO (ADSL modems), LAN-on-Motherboard (LOM), hub and Switches.
2. With various Turns Ratios.
3. 350uH min OCL with 8mA bias current.
4. RoHS "NL" peak solder rating $260 \pm 5^\circ\text{C}$.

X:X	± 0.20	APPD:	<i>LINK-PP INT'L TECHNOLOGY CO., LIMITED</i>	
X:XX	± 0.10	CHKD:	<i>Title: 1000Base-T Magnetic Modules</i>	
X:XXX	± 0.05	DR: TOM		
ANGLES	$\pm 1^\circ$	UNIT: mm	PART NO.:	LP5007NL
	SCALE: 2/1	SHEET: 2/2	REV: A	DWG NO.: LP09092405