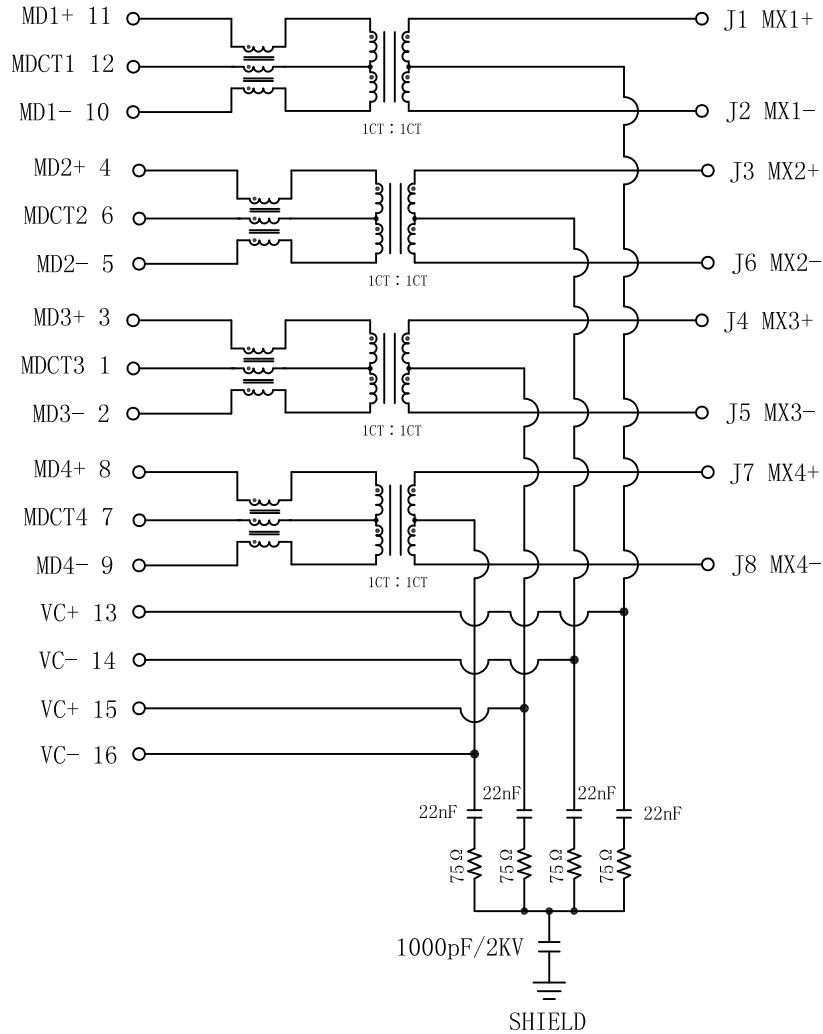


Schematic :

REV.	ECN NO.	DESCRIPTION	DATE	APPD
A	REL		2010/11/19	

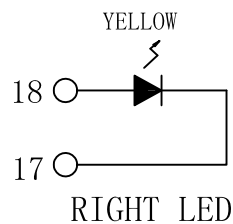
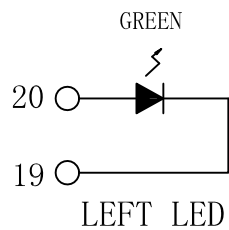
PC BOARD CONNECTIONS



RJ45 CONNECTOR

Electrical Specifications @25°C

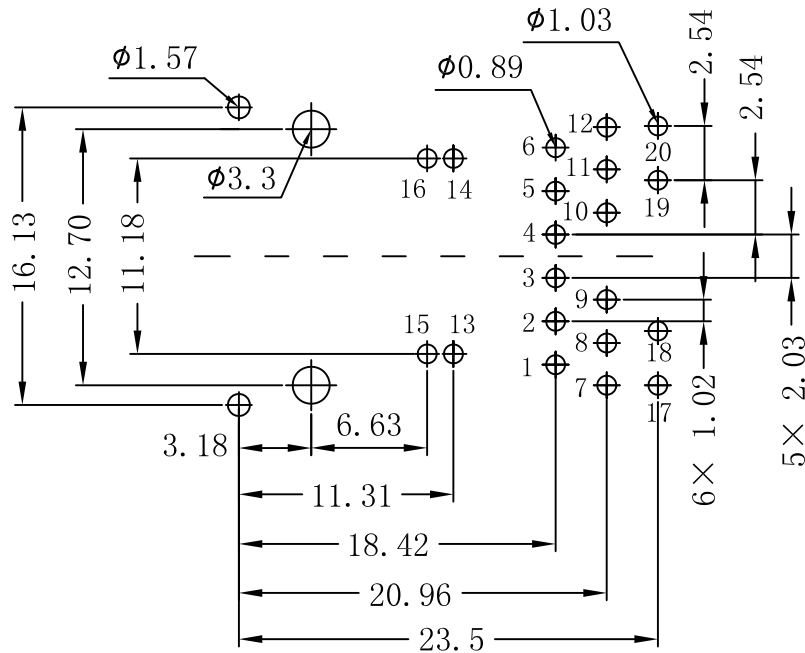
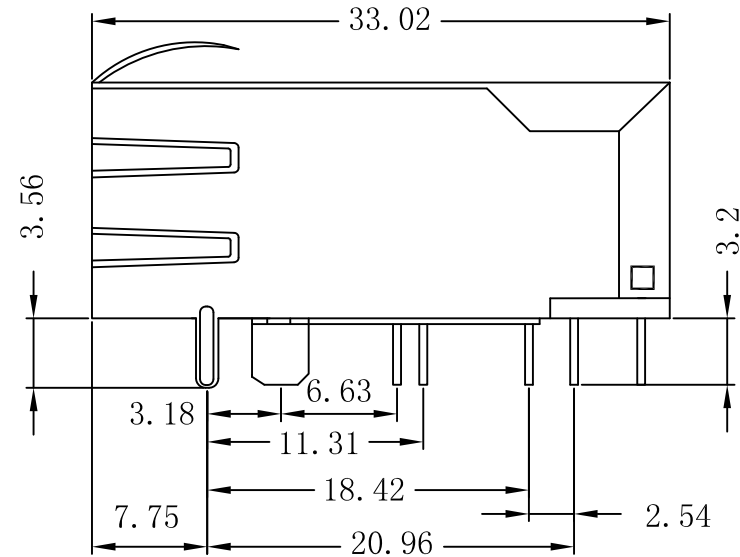
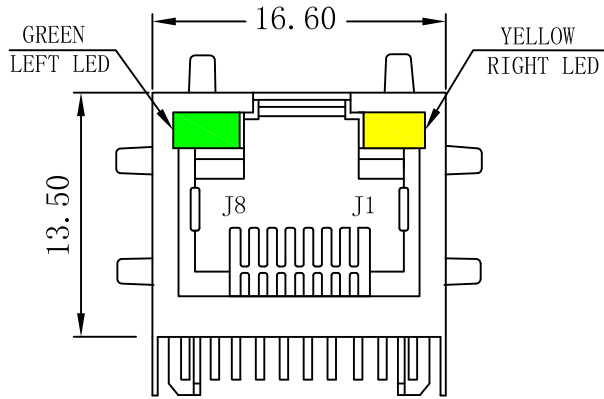
- Inductance: 350uH Min
@ 100KHz, 0.1V, 8mA DC BIAS
- Turns Ratio($\pm 2\%$): 1CT : 1CT
- Insertion Loss:
1-100MHz: -1.0dB Max
- Return Loss(load 100 Ω):
1-30MHz: -18dB Min
30-60MHz: -16dB Min
60-80MHz: -12dB Min
80-100MHz: -10dB Min
- Crosstalk:
1-100MHz: -30dB Min
- Common Mode Rejection:
1-100MHz: -30dB Min
- Balanced DC Line Current:
720mA Max @57VDC Continuous
1.2A Max @57VDC For 200 Milliseconds.
- Hipot: 1500Vrms Min @60Hz
- Operating Temperature: -40°C ~ +85°C.



X:X	± 0.20	APPD:	LINK-PP INT'L TECHNOLOGY CO., LIMITED	
X:XX	± 0.10	CHKD:	TITLE: RJ45 Connector with 1000 Base-TX Integrated Magnetic For PoE+ Application	
X:XXX	± 0.05	DR: TOM	PART NO.: LPJK6064AHNL	
ANGLES	$\pm 1^\circ$	UNIT: mm	PART NO.: LPJK6064AHNL	
	SCALE: 2/1	SHEET: 1/2	REV: A	DWG NO.: LP10111918

Mechanical :

REV.	ECN NO.	DESCRIPTION	DATE	APPD
A	REL		2010/11/19	



SUGGESTED PCB LAYOUT (TOP VIEW)

NOTES:

1. Designed to support application, such as SOHO (ADSL modems), LAN-on-Motherboard (LOM), hub and Switches.
2. Meets IEEE 802.3at specification
3. Connector Materials:
Housing: Thermoplastic UL94V-0
Contact/Shield: Copper alloy
Shield plating: Nickel
Contact plating: Gold 6 micro-inches min. In contact area.
4. Wave solder tip temperature: 265°C Max
Wave solder tip temperature time: 5 Sec Max



X:X	±0.20	APPD:	LINK-PP INT'L TECHNOLOGY CO., LIMITED
X:XX	±0.10	CHKD:	TITLE: RJ45 Connector with 1000 Base-TX Integrated Magnetic For PoE+ Application
X:XXX	±0.05	DR: TOM	PART NO.: LPJK6064AHNL
ANGLES	±1°	UNIT: mm	
	SCALE: 2/1	SHEET: 2/2	REV: A DWG NO.: LP10111918